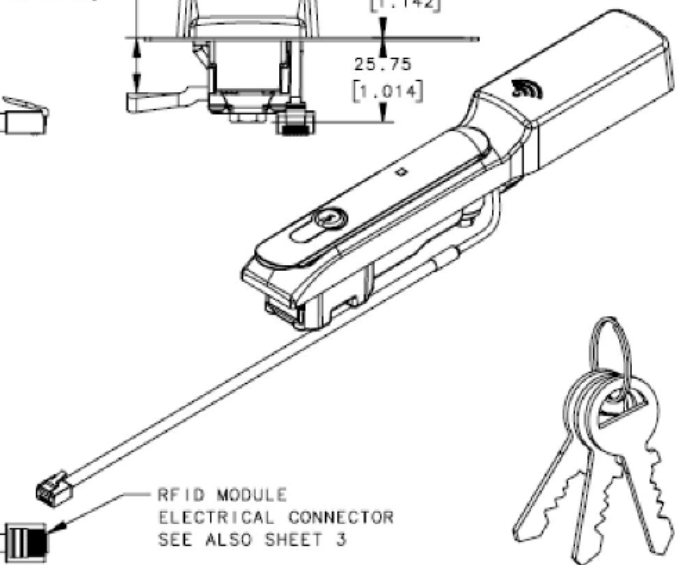
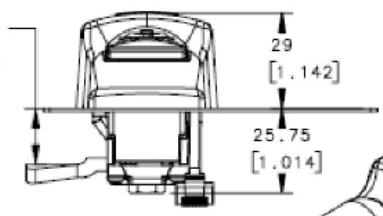


- NOTE 3.
- MIN GRIP RANGE WITH FLAT CAM 15.5mm [.61]
EXAMPLE SHOWN: 2mm OFFSET CAM - GRIP RANGE 17.5mm [.68]
 - FOR CAM LENGTH 38mm [1.5] -EDGE DISTANCE 30mm [1.18]
FOR CAM LENGTH 45mm [1.77] -EDGE DISTANCE 37mm [1.46]
 - SELECT CAM PART NUMBERS ACCORDING TO TABLE TO PROVIDE GRIP REQUIRED.

CAM PART NUMBER (ORDER SEPERATELY)		
GRIP	CAM LENGTH (1) 38 MM [1.5]	CAM LENGTH (2) 45 MM [1.77]
15.5 [.61]	E5-6710	-
17.5 [.68]	E5-6711	-
19.5 [.76]	E5-6712	E5-6112
21.5 [.85]	E5-6713	E5-6113
23.5 [.93]	E5-6714	E5-6114

GRIP RANGE:
(EXAMPLE: GRIP RANGE SHOWN 17.5 [.68] USING OFFSET CAM P/N E5-6711)



KEYS INCLUDED (EXCEPT FOR NO LOCK PLUG AND BLANK LOCK PLUG VERSIONS)

IDENTITY AUTHENTICATION
BIOMETRICS | SMARTCARDS
ACCESS CONTROL

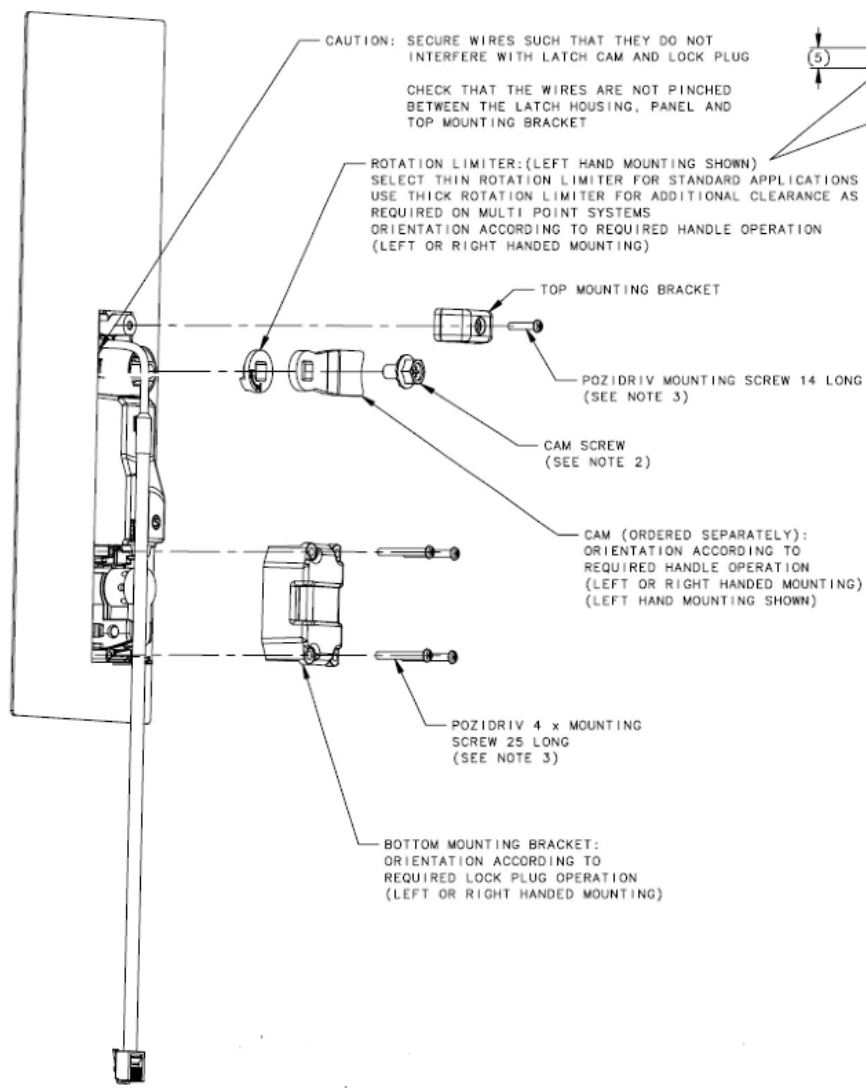


borer
smart solutions @ work

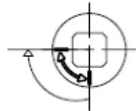
Borer Data Systems Ltd | www.borer.co.uk
4 Winnersh Fields, Gazelle Close,
Winnersh, Berkshire, RG41 5QS, UK
Tel: +44 (0)118 979 1137 | Email: info@borer.co.uk



VAT Reg No. 200 6599 83
Registered in England No. 1207085

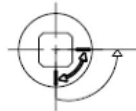


OPTION 1 FOR INSTALLATION OF ROTATION LIMITER - VIEWED FROM BACK-



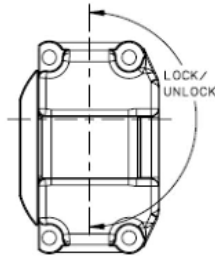
LEFT HAND MOUNTING
TO OPEN: TURN HANDLE 90° COUNTER CLOCKWISE IF VIEWED FROM FRONT

OPTION 2 FOR INSTALLATION OF ROTATION LIMITER - VIEWED FROM BACK-

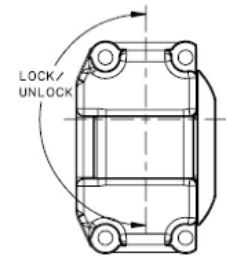


RIGHT HAND MOUNTING
TO OPEN: TURN HANDLE 90° CLOCKWISE IF VIEWED FROM FRONT

INSTALLATION OF BOTTOM MOUNTING BRACKET

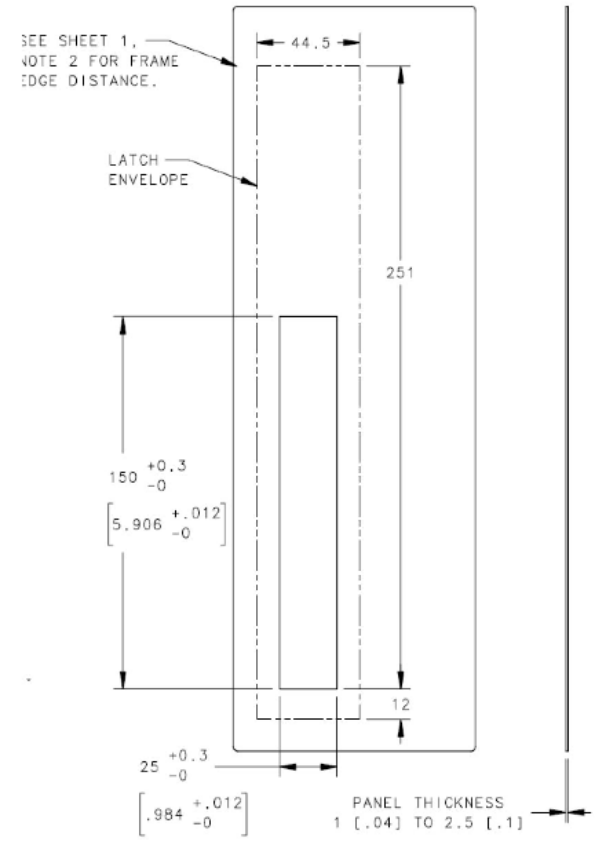


LEFT HAND MOUNT
WHEN H3-61-55-33 MULTI POINT SYSTEM IS USED.



RIGHT HAND MOUNT
WHEN H3-61-55-33 MULTI POINT SYSTEM IS USED.

OPERATION OF LOCK PLUG CORRESPONDS WITH ORIENTATION OF BOTTOM MOUNTING BRACKET



IDENTITY AUTHENTICATION
BIOMETRICS | SMARTCARDS
ACCESS CONTROL



borer
smart solutions @ work

Borer Data Systems Ltd | www.borer.co.uk
4 Winnersh Fields, Gazelle Close,
Winnersh, Berkshire, RG41 5QS, UK
Tel: +44 (0)118 979 1137 | Email: info@borer.co.uk



VAT Reg No. 200 6599 83
Registered in England No. 1207085