

Borer's **LIM v4** is a single door access controller for use in online access control applications. The **LIM v4** provides full online and offline validation and decision making capabilities at the point of entry.

It supports most third party card reader interfaces, including Wiegand, magnetic stripe (clock and data), barcode and Dallas iButton, as well as many proximity and biometric formats.

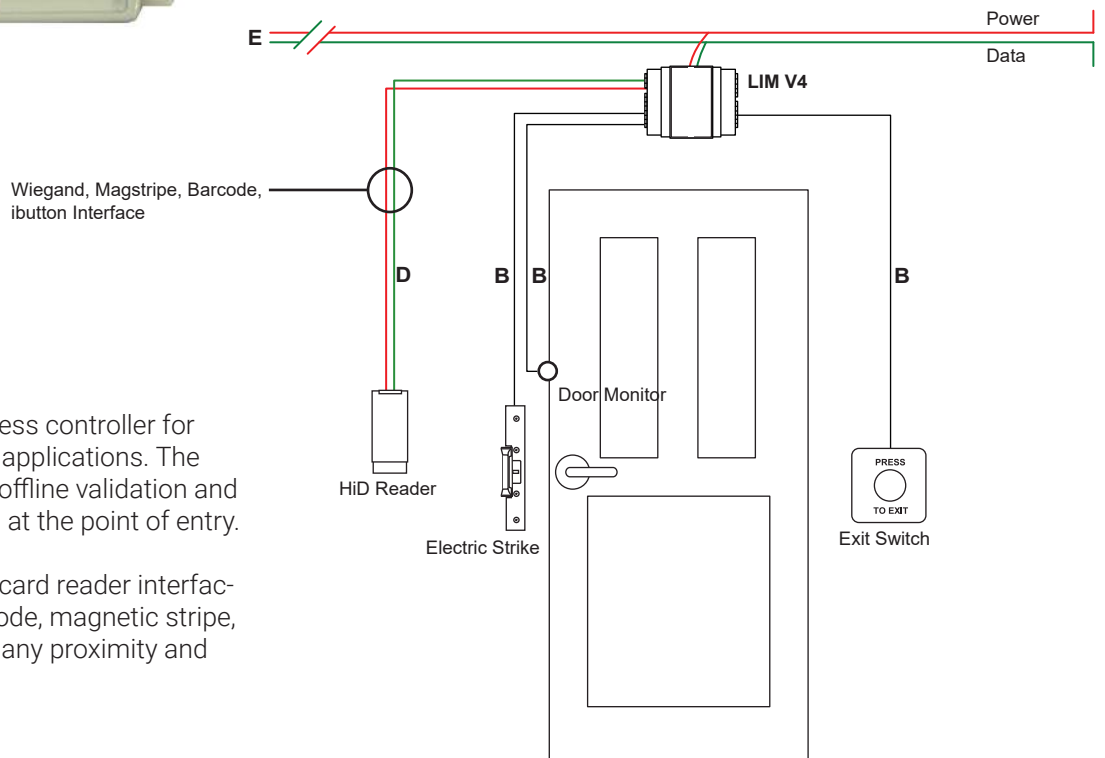
The **LIM v4** was developed using 'Clean Design' principles to minimise device mass and reduce energy consumption. Unnecessary components have been eliminated.

This together with a low energy profile delivers a 'cleaner, leaner and greener' solution, reducing lifetime operating costs.



## Features

- **Dual Database** of cardholders and access rights held at every reader, with fall back to the last known good database in the event of a data corruption or interruption during database download
- **Large Integrated Database** with a total capacity of up to 120,000 cardholders / transactions
- **Two Magnetically Assisted Omron Relays** for energy efficient switching of electric release and local alarm/ alarm shunt
- **Four Supervised Inputs** for door monitor, request-to-exit, tamper and spare
- **Four State Monitoring of Inputs** checking for short circuit, open circuit, normally open and normally closed
- **PIN Keypad Matrix Interface**
- **LCD Display Panel Interface Optional**
- **Support for Third Party Card Readers** including Wiegand, Clock and Data, Barcode and Dallas iButton
- **Works with Borer Midspan Bridge** technology to deliver power and data over a single CAT5e/6 cable



The LIM is a single door access controller for use in online access control applications. The LIM provides full online and offline validation and decision making capabilities at the point of entry.

It supports most third party card reader interfaces, including: Wiegand, barcode, magnetic stripe, Dallas 'iButton', as well as many proximity and biometric formats.

## Benefits

- **'Plug and Play'** makes for faster installation and commissioning
- **Distributed Intelligence** allows decisions to be made at the point of access
- **TCP/IP Network connection via Borer Bridge** enables a direct connection to the central management system and database
- **Very low energy consumption** leading to savings in cost of energy
- **Power over CAT5e support** eliminating the requirement for a power supply at every door, thereby reducing bespoke cabling, installation complexity and cost

## Technical Specifications

Installation	Borer LIM door access controller are housed in DIN rail mounted enclosures for ease of installation and maintenance
Enclosure Colour	Ivory
Power Supply	10 to 28 volts DC, 35mA @ 12 Volts DC
Controller Dimensions/ Weight	431 x 45 x 17 mm / Approx 2.3kg
Controller Enclosure Dimensions/Weight	104 x 69 x 57 mm / 130g
Environmental Humidity Range	Interior / 5% to 8% non-condensing
Outputs	Relays (3A at 30v DC, NO and NC contacts)
Inputs	4 Supervised Digital Inputs
Reader Head Outputs	Red LED and Green LED, Hold
PIN	4 digit system generated random number or 4 digit user issued number
Reader Database	48 sets of reader rules, 16 scheduled holiday dates, from 16,000 to 64,000 cardholders / transactions, 14 timezones
Data Retention without Power	10 years
Network Connection	Controller Area Network, ISO 11898 standard for serial data communications
Cable Type	CAT5e/6 Cable
Transmission Protocol	CSMA - CD (Carrier Sense Multiple Access with Collision Avoidance)
Data Rate	Autosensing: -50, 125 or 250kbps
Operating Temperature Range	-13 to 140F (-25 to 60 C)
Card Access Reader Technology	Support for a wide range of card access reader technologies including Wiegand, magnetic stripe, Dallas 'iButton', bar code and many proximity formats including HID, Indalla, MIFARE®, Legic, iClass, EM, Hitag, etc.
Door Monitoring	Access made, access not made, door forced, door unsecure, egress made (using handle or REX)