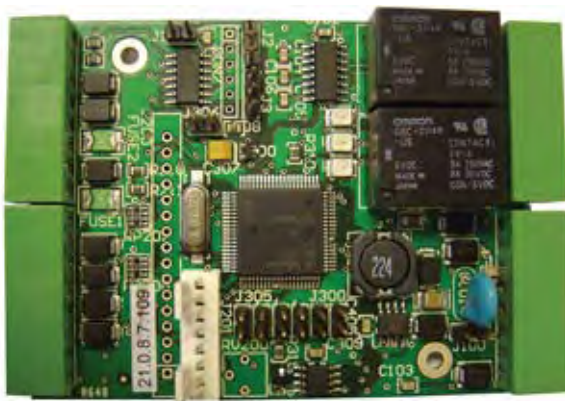


Borer's LIM V4 is a single door access controller for use in online access control applications. The **LIM V4** provides full online and offline validation and decision making capabilities at the point of entry.

It supports most third party card reader interfaces, including Wiegand, magnetic stripe (clock and data), bar code and Dallas iButton, as well as many proximity and biometric formats.

The **LIM V4** was developed using 'Clean Design' principles to minimise device mass and reduce energy consumption. Unnecessary components have been eliminated.

This together with a low energy profile delivers a 'cleaner, leaner and greener' solution, reducing lifetime operating costs.



Features:

Dual Database of cardholders and access rights held at every reader head, with fall back to the last known good database in the event of a data corruption or interruption during database download

Large Integrated Database with a total capacity of up to 120,000 cardholders / transactions

Two Magnetically Assisted Omron Relays for energy efficient switching of electric release and local alarm / alarm shunt

Four Supervised Inputs for door monitor, request-to-exit, tamper and spare

Four State Monitoring of Inputs checking for short circuit, open circuit, normally open and normally closed

PIN Keypad Matrix Interface

LCD Display Panel Interface Optional

Support for Third Party Card Readers including Wiegand, Clock and Data, Bar Code and Dallas iButton

Works with Borer Midspan Bridge technology which delivers power and data over a single CAT5e / 6 cable

Benefits:

'Plug and Play' makes for faster installation and commissioning

Distributed Intelligence allows decisions to be made at the point of access

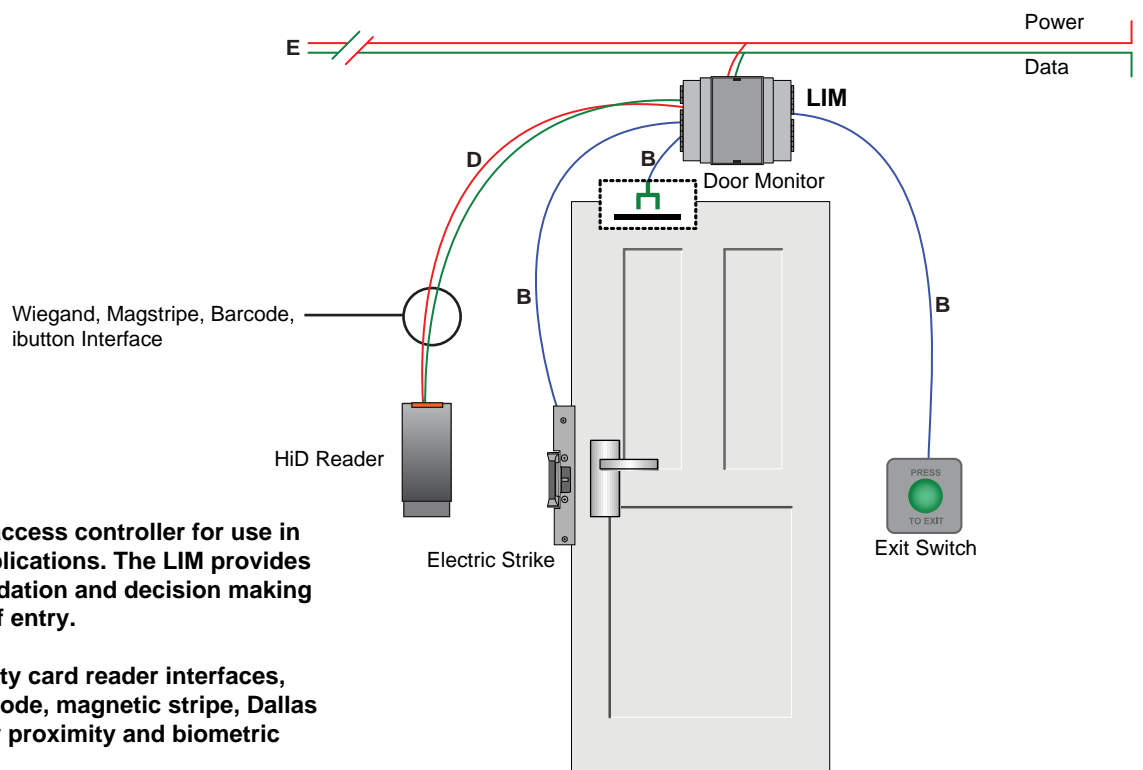
TCP/IP Network connection via Borer Bridge enables a direct connection to the central management system and database

Very low energy consumption leading to savings in cost of energy

Power over CAT5e support eliminating the requirement for a power supply at every door, thereby reducing bespoke cabling, installation complexity and cost.

Technical

Installation:	Borer LIM door access controller are housed in DIN rail mounted enclosures for ease of installation and maintenance
Enclosure Colour	Ivory
Power Supply	10 to 28 volts DC, 35mA @ 12 Volts DC
Controller Dimensions/Weight:	104 x 69 x 20 mm / 960g
Controller Enclosure Dimensions/ Weight	104 x 69 x 57 mm / 123g
Environmental Humidity Range:	Interior / 5% to 85% non-condensing
Ouputs:	Relays (3A at 30v DC, NO and NC contacts)
Inputs:	4 Supervised (Door Monitor, Request-to-Exit, Tamper and Spare) Digital Inputs: Door Contact, REX (Request-to-Exit) and Tamper Circuit
Reader Head Outputs:	Red LED and Green LED, Hold
PIN:	4 digit system generated random number or 4 digit user issued number
Reader Database:	48 sets of reader rules, 16 scheduled holiday dates, from 16,000 to 64,000 cardholders / transactions, 14 timezones
Data Retention without Power:	10 years
Network Connection:	Controller Area Network, ISO 11898 standard for serial data communications
Cable Type:	CAT5e / 6 Cable
Transmission Protocol:	CSMA - CD (Carrier Sense Multiple Access with Collision Avoidance)
Data Rate:	Autosensing: -50, 125 or 250kbps
Operating Temperature Range:	-13 to 140 F (-25 to 60 C)
Card Access Reader Technology	Support for a wide range of card access reader technologies including Wiegand, magnetic stripe, Dallas 'iButton', bar code and many proximity formats including HID, Indalla, Mifare, Legic, iClass, EM, Hitag, etc.
Door Monitoring:	Access made, access not made, door forced, door unsecure, egress made (using handle or REX)



The LIM is a single door access controller for use in online access control applications. The LIM provides full online and offline validation and decision making capabilities at the point of entry.

It supports most third party card reader interfaces, including: Wiegand, bar code, magnetic stripe, Dallas 'iButton', as well as many proximity and biometric formats.