

**Borer's LIM V2** is a single door access controller for use in online access control applications. The **LIM V2** provides full online and offline validation and decision making capabilities at the point of entry.

It supports most third party card reader interfaces, including Wiegand, magnetic stripe (clock and data), bar code and Dallas iButton, as well as many proximity and biometric formats.

The **LIM V2** communicates using Controller Area Network, conforming to the ISO 11898 standard for serial data communication. CAN provides a secure, high speed data link for mission critical systems, which is ideal for access control and alarm monitoring applications.

Power over CAT5e/6 support eliminating the requirement for a power supply at every door thereby reducing bespoke cabling, installation complexity and cost.



### Features:

**High level of integration** with fewer components leading to lower cost and more reliable equipment

**Less Hardware deployed** resulting in easier installation, reduced maintenance and lower cost of ownership

**DIN Rail Mounted** for ease of installation and maintenance

**Distributed Intelligence** to the reader controller allows decisions to be made at the point of access

**'Plug and Play'** makes for faster installation, commissioning and maintenance replacement

**'Power over LAN'** cuts the number of power supplies and mains outlets required, reducing the overall installation cost

**Support for a wide range of card reader technologies** including Wiegand, magnetic stripe, Dallas 'iButton', bar code and many proximity formats including HID, Indalla, Mifare, Legic, iClass, EM, Hitag, etc

### Benefits:

**Distributed Intelligence** allows decisions to be made at the point of access

**Includes Emergency Status Rules**, one for each day of the week, which control the operation of the door during an emergency (e.g. open all doors upon detection of a fire alarm)

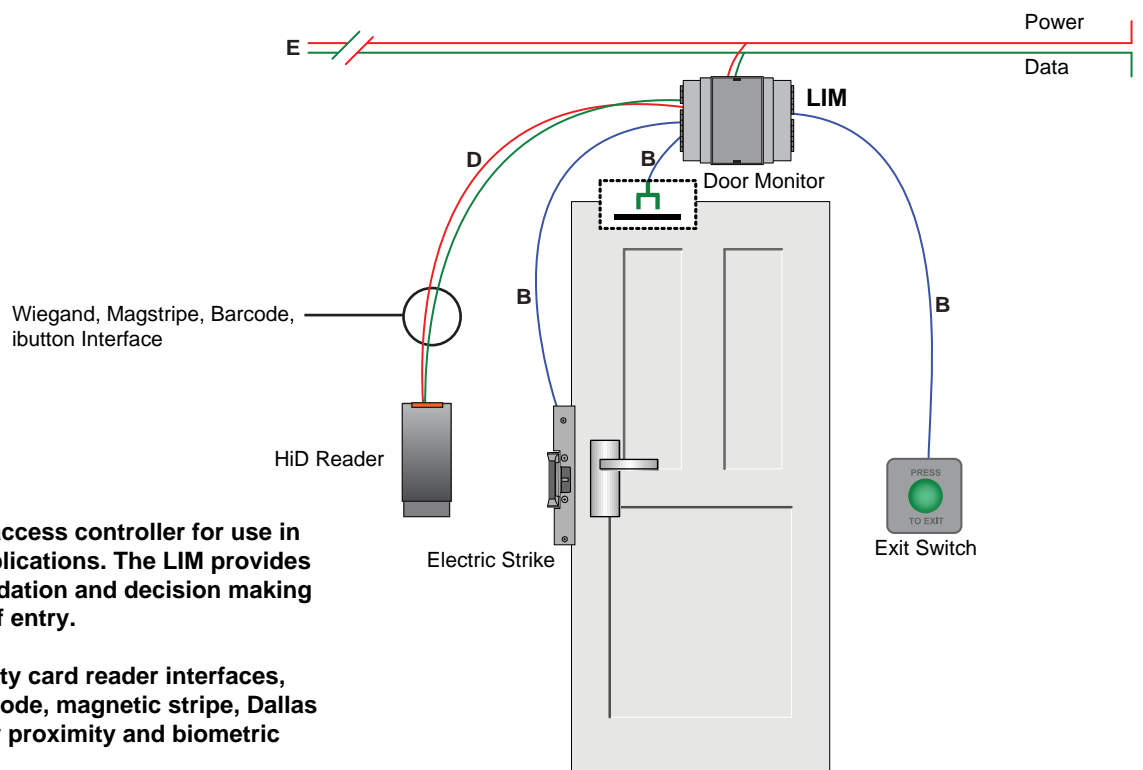
**'Plug and Play'** makes for faster installation and commissioning

**TCP/IP Network connection via Borer Bridge** enables a direct connection to the central management system and database

**Very Low Energy Consumption** leading to savings in cost of energy

## Technical

<b>Installation:</b>	Borer LIM door access controller are housed in DIN rail mounted enclosures for ease of installation and maintenance
<b>Enclosure Colour</b>	Ivory
<b>Power Supply</b>	10 to 28 volts DC, 25mA @ 24 Volts DC
<b>Controller Dimensions/Weight:</b>	82 x 62 x 15 mm / 43g
<b>Controller Enclosure Dimensions/ Weight</b>	85 x 68 x 60 mm / 973g
<b>Environmental Humidity Range:</b>	Interior / 5% to 85% non-condensing
<b>Ouputs:</b>	Relays (3A at 30v DC, NO and NC contacts)
<b>Inputs:</b>	3 Supervised (Open Contact, Closed Contact, Cut Wire and Shorted Wire) Digital Inputs: Door Contact, REX (Request-to-Exit) and Tamper Circuit
<b>Reader Head Outputs:</b>	Red LED and Green LED, Buzzer
<b>PIN:</b>	4 digit system generated random number or 4 digit user issued number
<b>Reader Database:</b>	48 sets of reader rules, 16 scheduled holiday dates, maximum 8000 cardholders / transactions
<b>Data Retention without Power:</b>	10 years
<b>Network Connection:</b>	Controller Area Network, ISO 11898 standard for serial data communications
<b>Cable Type:</b>	CAT5e / 6 Cable
<b>Transmission Protocol:</b>	CSMA - CD (Carrier Sense Multiple Access with Collision Avoidance)
<b>Data Rate:</b>	Autosensing: -50, 125 or 250kbps
<b>Operating Temperature Range:</b>	-13 to 140 F (-25 to 60 C)
<b>Card Access Reader Technology</b>	Support for a wide range of card access reader technologies including Wiegand, magnetic stripe, Dallas 'iButton', barcode and many proximity formats including HID, Indalla, Mifare, Legic, iClass, EM, Hitag, etc.
<b>Door Monitoring:</b>	Access made, access not made, door forced, door unsecure, egress made (using handle or REX)



**The LIM is a single door access controller for use in online access control applications. The LIM provides full online and offline validation and decision making capabilities at the point of entry.**

**It supports most third party card reader interfaces, including: Wiegand, bar code, magnetic stripe, Dallas 'iButton', as well as many proximity and biometric formats.**